



# TrenchGuard™

The ideal Solution for the Protection  
of Crane Main Power Cables



# TrenchGuard™

---

- Complete cable protection
- Reliable and safe in operation
- Withstanding highest loads
- Resisting extreme climate conditions
- No speed limitations for crane travel
- Easy to install and maintenance-free
- Also suitable for retrofits

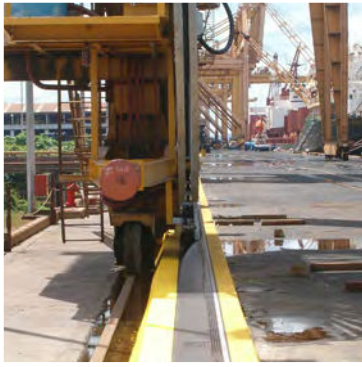
**CONDUCTIX**  
wampler



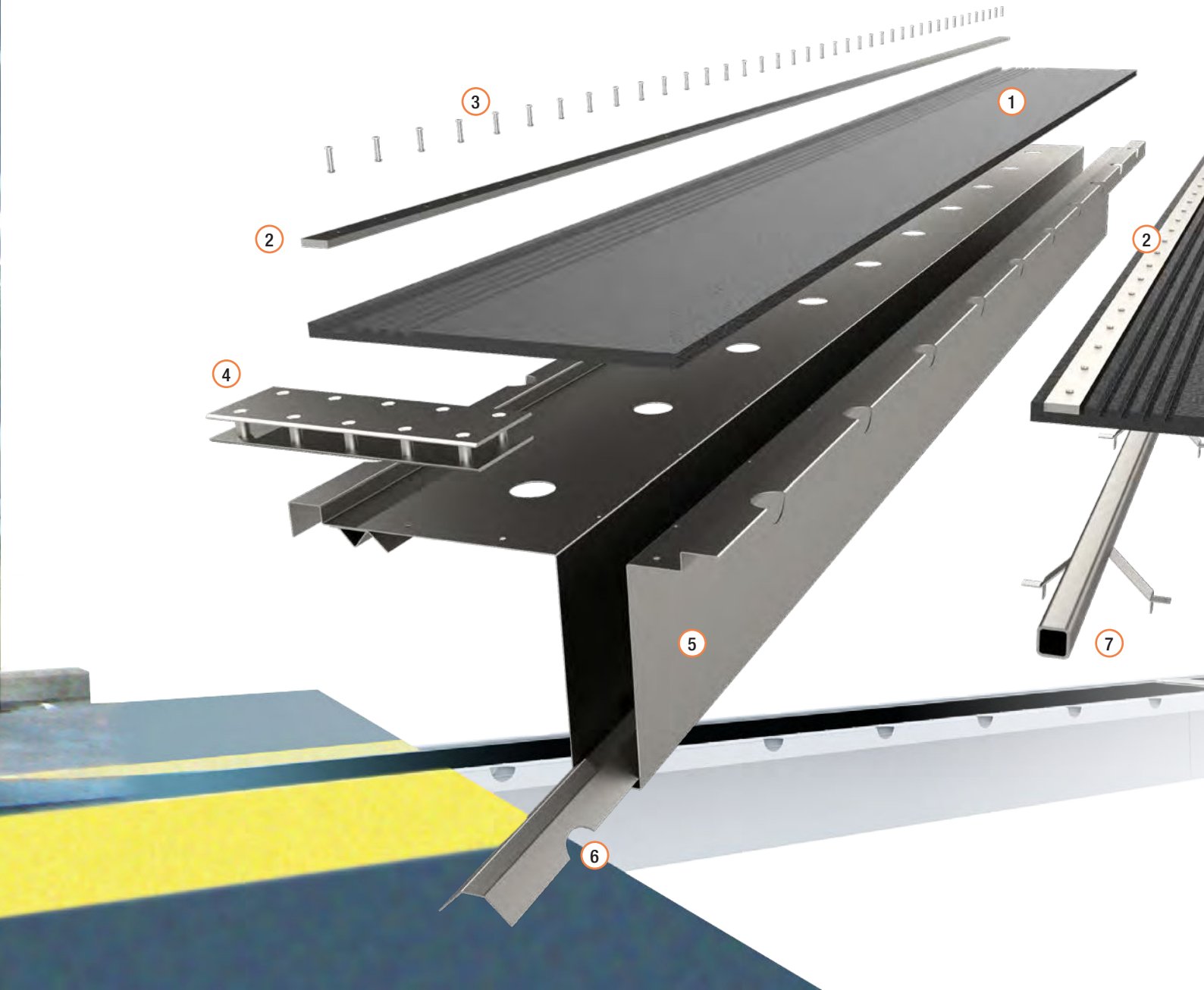
# The ideal Solution for the Protection of Crane Main Power Cables

---

- Cable Trench available in standard geometries or with customized depths and widths to suit a wide variety of cables.
- Option for multiple cables accurate management.
- Trench configurations for all requirements: formed concrete or lined with stainless steel (304 or 316L grades).
- Durable cover belt with steel reinforcement for tens of thousands of opening / closing cycles, and to withstand unlimited vehicle traffic.
- Efficient belt lifting devices that smoothly raise and lower the belt for trouble-free cable access during crane travel.
- Technical and engineering assistance for system specification, installation, and retrofitting.



# TrenchGuard™ Super System



# Components

## Belt

- Type of Compound: SBR
- 2 Nylon Textile Layers
- 2 Steel Cord Layers
- Delivered in Rolls of 50 m each

## Fixing Strips (3 m long)

## Rivets and junction plates (always included)

## Metal options for Belt installation

- Cable Trench 3 m long
  - 2 standard widths (75 mm and 100 mm)
  - 4 standard depths (from 170 to 320 - step 50 mm)
  - AISI304 or AISI316
  - De-icing accessory
- Square tube 3 m long



- 1 Belt
- 2 Fixing Strips
- 3 Rivets
- 4 Junction plates
- 5 Cable Trench
- 6 De-icing accessory
- 7 Square tupe

# www.conductix.com

**Conductix-Wampfler** has just one critical mission:  
To provide you with energy and data transmission  
systems that will keep your operations up and  
running 24/7/365.

To contact your nearest sales office, please refer to:  
**[www.conductix.com/contact-search](http://www.conductix.com/contact-search)**

